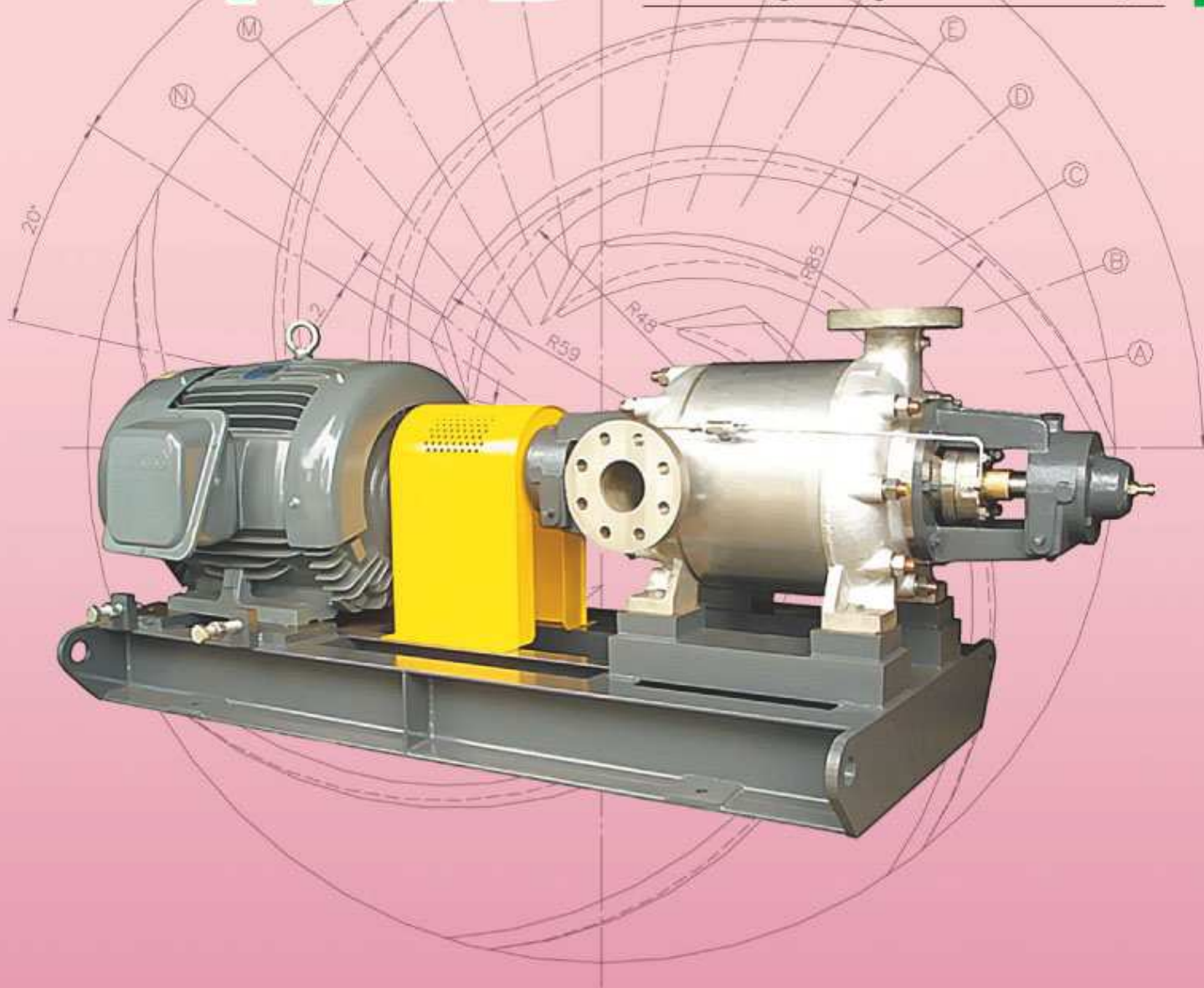


# WTD 多段高壓泵

Multi-stages High Pressure Pumps



- 鍋爐給水 Boiler water feed
- 網毯清洗 Pulp forming wire cleaning
- 高壓清洗 High pressure cleaning
- 高壓給水 High pressure water supply

ISO 9001  
BSMI  
部可登錄  
ISO 9001  
2000/CNS 12681  
REGISTERED  
6M7Y006

專營：離心泵、高壓多段泵、紙漿泵、  
雷射對心墊片、自動加油杯。



萬事興實業有限公司  
ALL STAR PUMP ENTERPRISE CO.,LTD.



## 》用途

- 鍋爐給水、網毯清洗、高壓製程給水、高壓清洗、自來水中繼加壓、坑道高揚程排水、高樓加壓給水、高壓噴洗冷卻。
- WTD系列採用高效率葉輪/導葉，提供一般工業所需的高壓清水或低濃度與低粘度的化學液體輸送。

## 》技術特徵

- 外型美觀體積小、效率高，節省運轉成本。
- 軸承以機油潤滑，品質穩定，故障率低，可連續長期使用。
- 液體之流道均經過表面平滑處理，其葉片均做精密的動平衡校正。
- 出口殼、入口殼及中間殼以高張力螺桿組成一體，組立及拆解時均相當簡單容易，兩端附有軸承箱，以支撐葉輪及軸心之重量。
- 運轉方向及出入口法蘭位置，由馬達側視之，運轉方向為逆時鐘力向，入口法蘭位於靠傳動側的右側水平上，出口法蘭則在另一側，其方向為垂直向上。
- WTD系列泵浦使用平衡盤(balancing disc)裝置，以平衡運轉時的軸向推力且平衡盤之磨損程度可由軸端之指示器指出。
- 當泵送液溫低於80°C時，使用普通型填料函，若溫度高於80°C時則加裝冷卻裝置，以降低軸心及軸承溫度。
- 標準材質泵殼為鑄鐵，葉輪及軸套為青銅，軸心為中碳鋼，但可因揚液之不同，接液部份可全部改為不鏽鋼製，鑄鋼製或青銅製。
- 溫度限制:接近150°C

## 》配件

- 三相馬達, 電壓:208~480V, 頻率60/50Hz  
過載保護器由使用者自行安裝在電控箱

## 》Application

- Pulp forming wire cleaning
- Boiler water feed
- Shower
- Pressure Boosting
- High Pressure Cleaning
- Mine De-watering
- High pressure process
- Chemical liquid transfer
- Atomized water cooling

## 》Features

WTD series is a radial split, segmented ring multistage pump. The interchangeable parts design to reduce maintenance and inventory costs. Compact size and optimum hydraulic efficiency reduce space and operation costs, oil lubricated bearing, and simplified maintenance combined with continuously long term operation make WTD in a high reliability class pump.

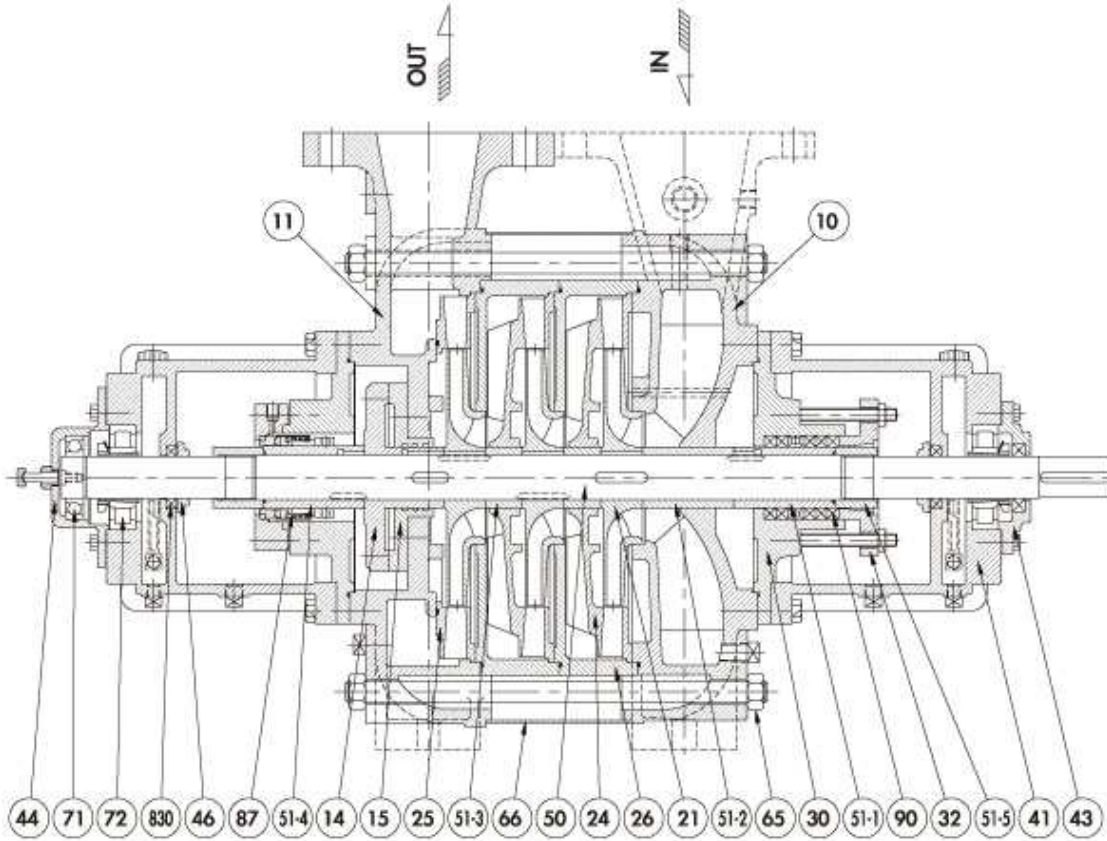
- High efficiency is achieved by optimum hydraulic design in impellers and diffuser vanes, also keep smoothly surface on flow channel and good balanced rotors.
- Rigid structure design is by modular parts, inlet casing, outlet casing, highly stress tie screw. Roller bearings on pump shaft both end, gland seal and balance device can be serviced without disturbing piping.
- Balance disc balances axial thrust over the operation range, disc worn down condition will be shown at indicator.
- Rotation orientation is counter-clock wise at motor side, inlet nozzle is horizontal at driven side and outlet nozzle is vertical at another side to fit your piping configurations.
- Gland seal will be used for temperature lower 80 °C pumping liquid, water cooling jack will be added to protect bearing and shaft when pumping liquid more than 80°C or higher.
- Maximum temperature limited but not more than 150°C.
- Material is cast iron on casing and structure parts, impeller and shaft sleeves are bronze material, shaft is carbon steel, material at wet parts can be selected depend on pumping liquid, stainless steel, alloy steel or bronze etc.

## 》Accessories

- Three phase induction motor, 208VAC-408VAC, 50Hz/60Hz  
Overloading protector brake must be installed



## 》產品構造(Construction)

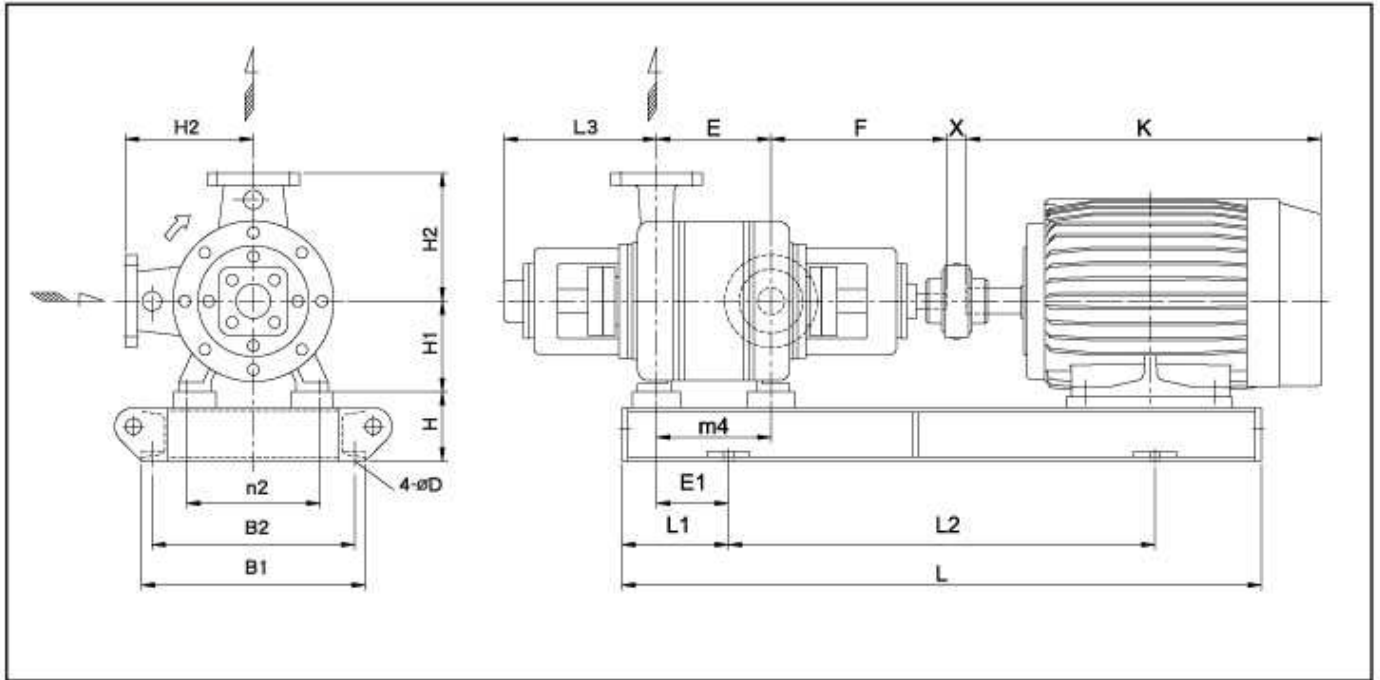


PART ON	零件名稱 (PART NAME)	
10	入口泵殼	Suction casing
11	出口泵殼	Discharge casing
14	平衡盤	Balance disk
15	墊盤	Balance seat
21	葉輪	Impeller
24	導輪	Diffuser
25	末段導輪	Diffuser-last stage
26	導輪殼	Inner casing
30	填料函	Stuffing box
32	填料蓋	Gland
41	軸承箱	Bearing case
43	軸承蓋	Bearing cover
44	軸承蓋	Bearing cover
46	擋水環	Water slinger
50	軸心	Pump shaft
51-1	入口軸套	Outside sleeve
51-2	入口中間軸套	Inside sleeve
51-3	葉輪中間軸套	Spacer sleeve
51-4	出口軸套	Outside sleeve
51-5	軸套螺帽	Sleeve nut
65	外殼螺栓	Tie bolt
66	外殼護罩	Crust cleading
71	軸承	Radial bearing
72	軸承	Radial bearing
830	油封	Oil seal
87	機械軸封	Mechanical seal
90	填料	Gland packing

主要部份材質表 (Material of main parts)			
Part name	A	B	C
泵殼 Casing	FC250	SCS13	SCS14
葉輪 Impeller	SCS13	SC513	SCS14
軸心 Pump Shaft	SUS410	SUS304	SUS316
軸套 sleeve	SUS304	SUS304	SUS316
填料函 Stuffing box	FC250	SC513	SCS14
軸承箱 Bearing frame	FC250		



## 》尺寸表(Standard Dimensions)



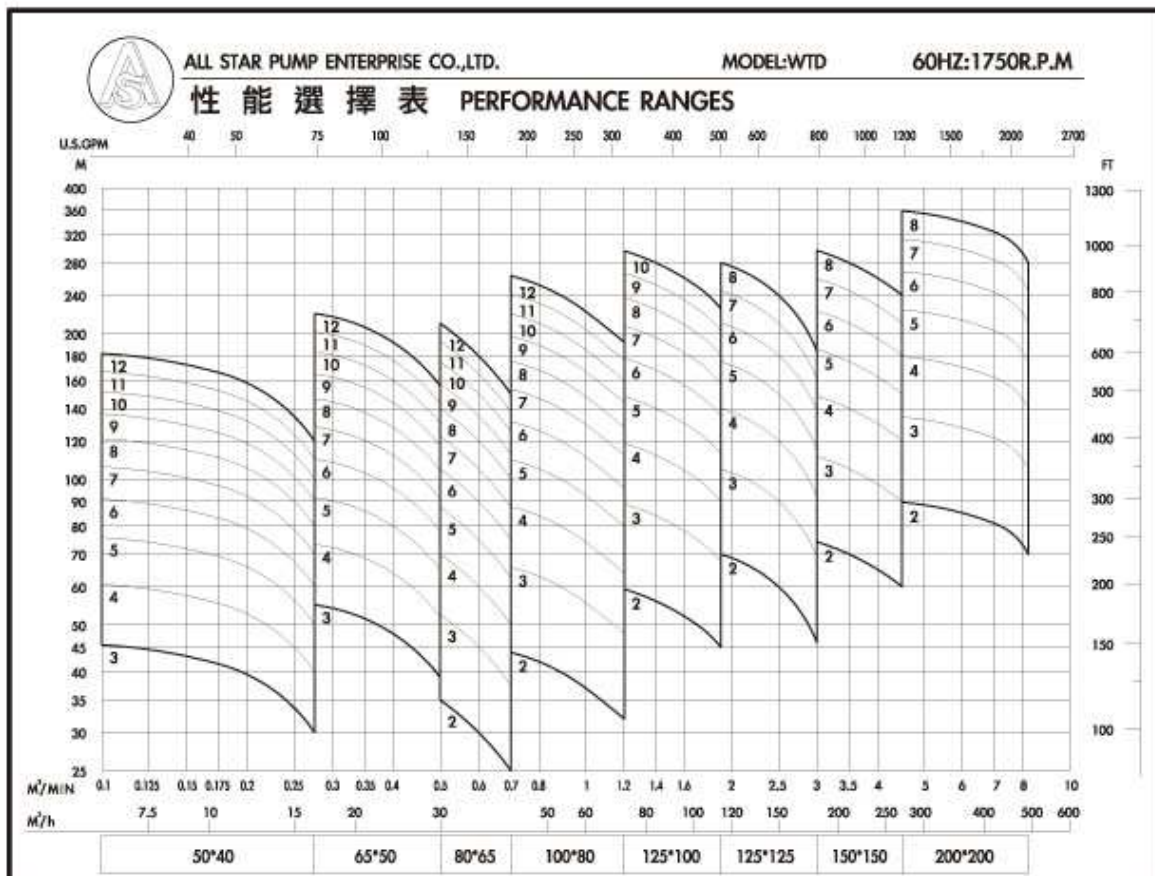
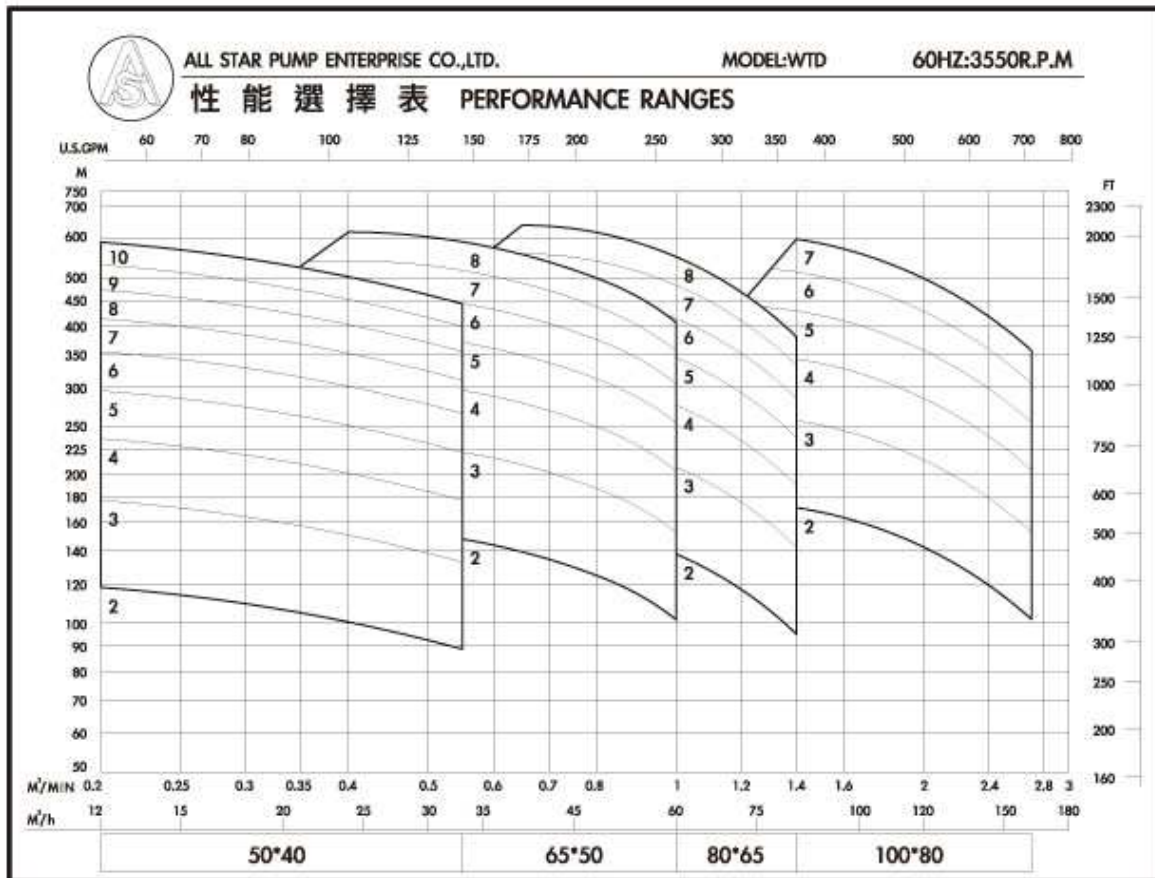
底座的尺寸(B1,B2,D,H,E1,L,L1,L2,X,K)等是由馬達框號,聯軸器型號,與底座的製造方法等參數而決定,訂購前請與我們聯繫讓我們提供更詳細正確的資訊。

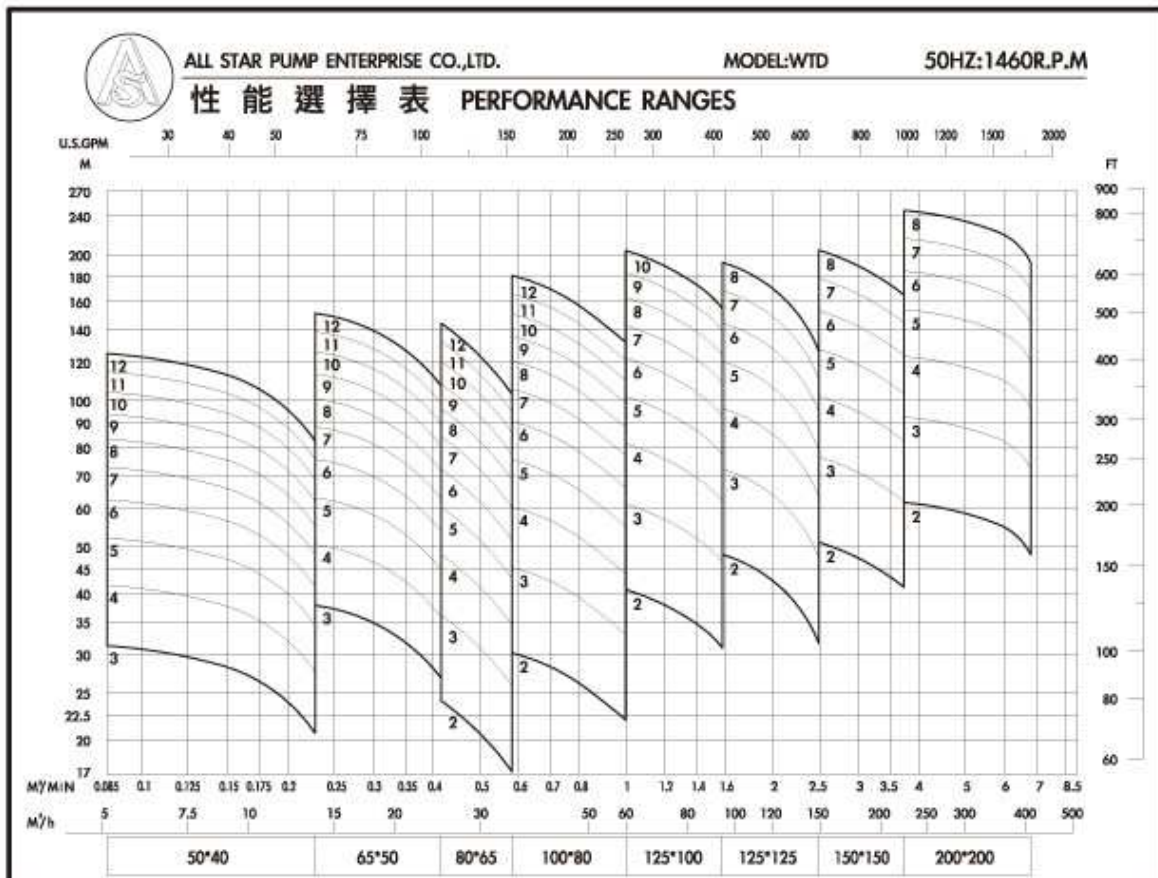
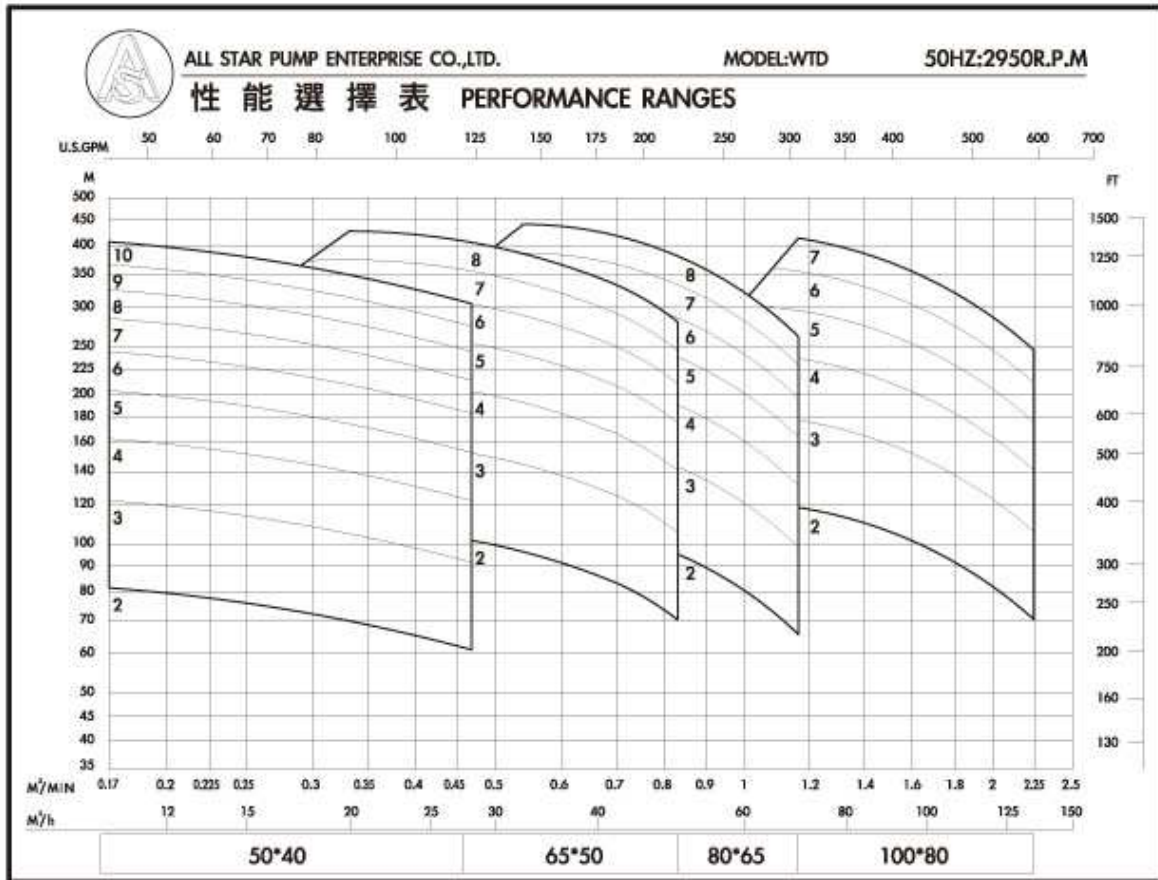
(Base plate relative dimension (B1,B2,D,H,E1,L,L1,L2,X,K) depends on frame of motor, fabrication method and coupling type, please contact us to get more detail information before order.)

MODEL	SUC.	DIS.	STAGES	E	L3	F	H1	H2	n2	m4	馬達(HP)	
											2P	4P
WTD 1.5"	50	40	2	115	286	336	170	240	240	115	20	
			3	165						165	30	5
			4	215						215	40	5
			5	265						265	50	7.5
			6	315						315	60	7.5
			7	365						365	75	10
			8	415						415	75	10
			9	465						465	100	15
			10	515						515	100	15
			WTD 2"	60						50	2	135
3	190	190			75	10						
4	245	245			100	15						
5	300	300			125	15						
6	355	355			150	20						
7	410	410			175	25						
8	465	465			200	25						
9	520	520				30						
10	575	575				30						



MODEL	SUC.	DIS.	STAGES	E	L3	F	H1	H2	n2	m4	馬達(HP)	
											2P	4P
WTD 2.5"	80	65	2	142	348	383	205	260	300	142	75	10
			3	202						202	100	15
			4	262						262	150	20
			5	322						322	175	25
			6	382						382	200	25
			7	442						442	250	30
			8	502						502	270	40
			9	562						562		40
			10	622						622		40
			WTD 3"	100						80	2	164
3	234	234			175	25						
4	304	304			250	30						
5	374	374			300	40						
6	444	444			350	50						
7	514	514			400	50						
8	584	584				60						
9	654	654				75						
10	724	724			75							
WTD 4"	125	100			2	170	360	409	260		330	345
			3	245	245	50						
			4	320	320	75						
			5	395	395	100						
			6	470	470	100						
			7	545	545	125						
			8	620	620	125						
			9	695	695	150						
			10	770	770	175						
			WTD 5"	125	125	2				217		
3	312	312				100						
4	407	407				125						
5	502	502				150						
6	597	597				175						
7	692	692				200						
8	787	787				215						
WTD 6"	150	150				2	265	427	475	330	430	460
			3	380	380	150						
			4	495	495	200						
			5	610	610	250						
			6	725	725	300						
			7	840	840	350						
			8	955	955	400						
			WTD 8"	200	200	2	350					
3	500	500				300						
4	650	650				400						
5	800	800				500						
6	950	950				550						
7	1100	1100				650						
8	1250	1250				750						







## 》如蒙洽詢請指示下列各項

In sending your enquiry or order, please inform us with the following Informations in detail:

1. 出水量(Capacity): \_\_\_\_\_  $m^3/min$ , \_\_\_\_\_ US.GPM or \_\_\_\_\_ IMP. GPM .
2. 總揚程(Total head): \_\_\_\_\_ m or \_\_\_\_\_ feet
3. 液體(Liquid): \_\_\_\_\_
4. 液體溫度(Temperature of liquid): \_\_\_\_\_  $^{\circ}C$  or \_\_\_\_\_  $^{\circ}F$
5. 紙漿濃度(Pulp consistency): \_\_\_\_\_ %
6. 比重(Specific gravity): \_\_\_\_\_
7. 酸鹼度(P.H.): \_\_\_\_\_
8. 運轉溫度下之蒸氣壓力(Vapor pressure at operating temperature):  
\_\_\_\_\_  $kg/cm^2$ , or \_\_\_\_\_ PSIA
9. 可用之淨有效吸入揚程(NPSH available): \_\_\_\_\_ m or \_\_\_\_\_ feet
10. 泵浦迴轉數(Pump speed): \_\_\_\_\_ rpm
11. 驅動馬達出力(Driven motor output): \_\_\_\_\_ KW or \_\_\_\_\_ HP
12. 電源特性(Electric characteristics):  
\_\_\_\_\_ Phase \_\_\_\_\_ Cycle \_\_\_\_\_ Volts



萬事興實業有限公司  
ALL STAR PUMP ENTERPRISE CO.,LTD.